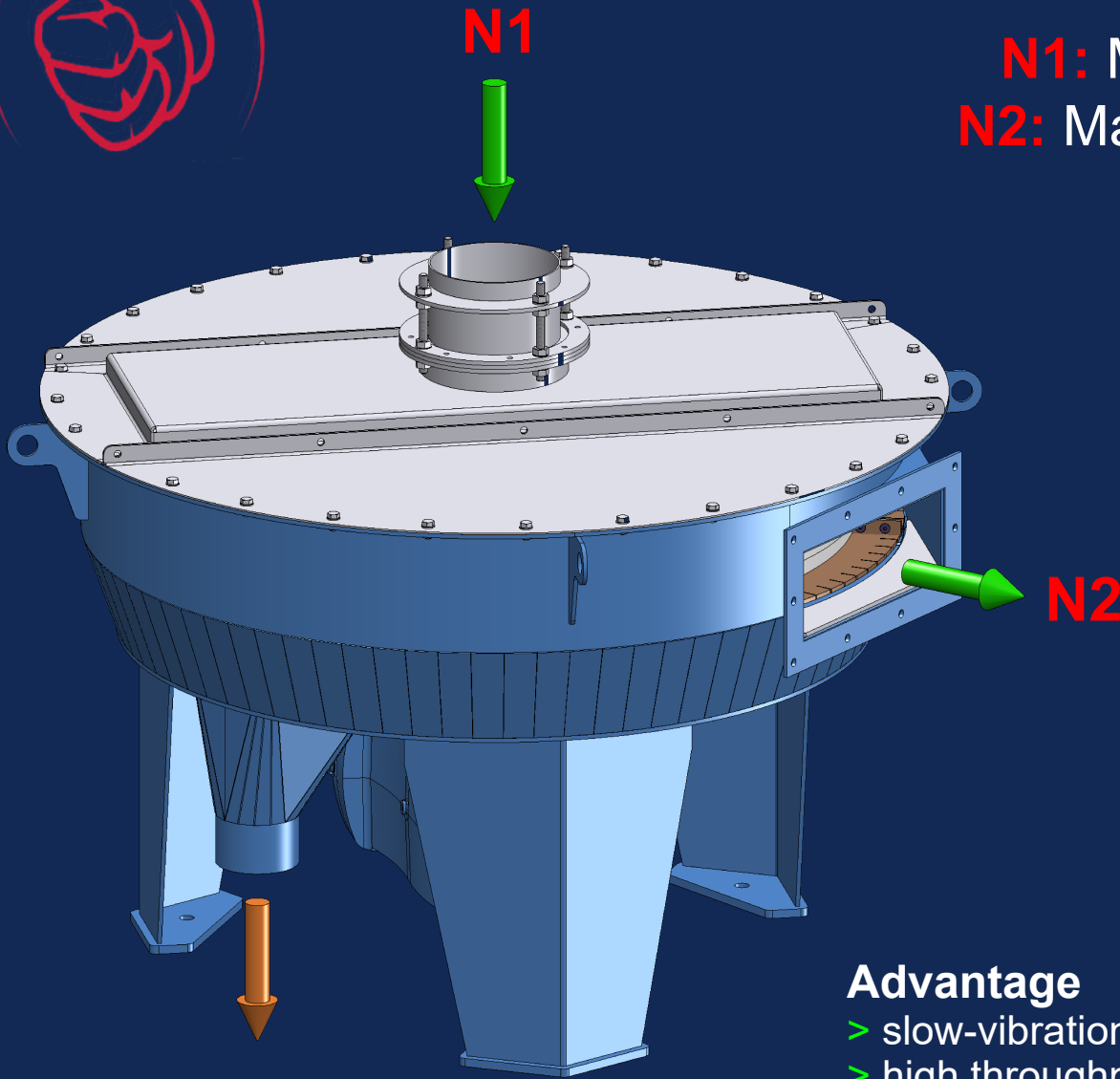


Rotary Screener RS.1000

N1: Material-Inlet
N2: Material-Outlet



Advantage

- > slow-vibration operation
- > high throughput
- > small space requirement
- > product-friendly screening
- > separation accuracy adjustable
- > material inflow adjustable

For the screening of granules